

Xtek® Gearbox Data Sheet

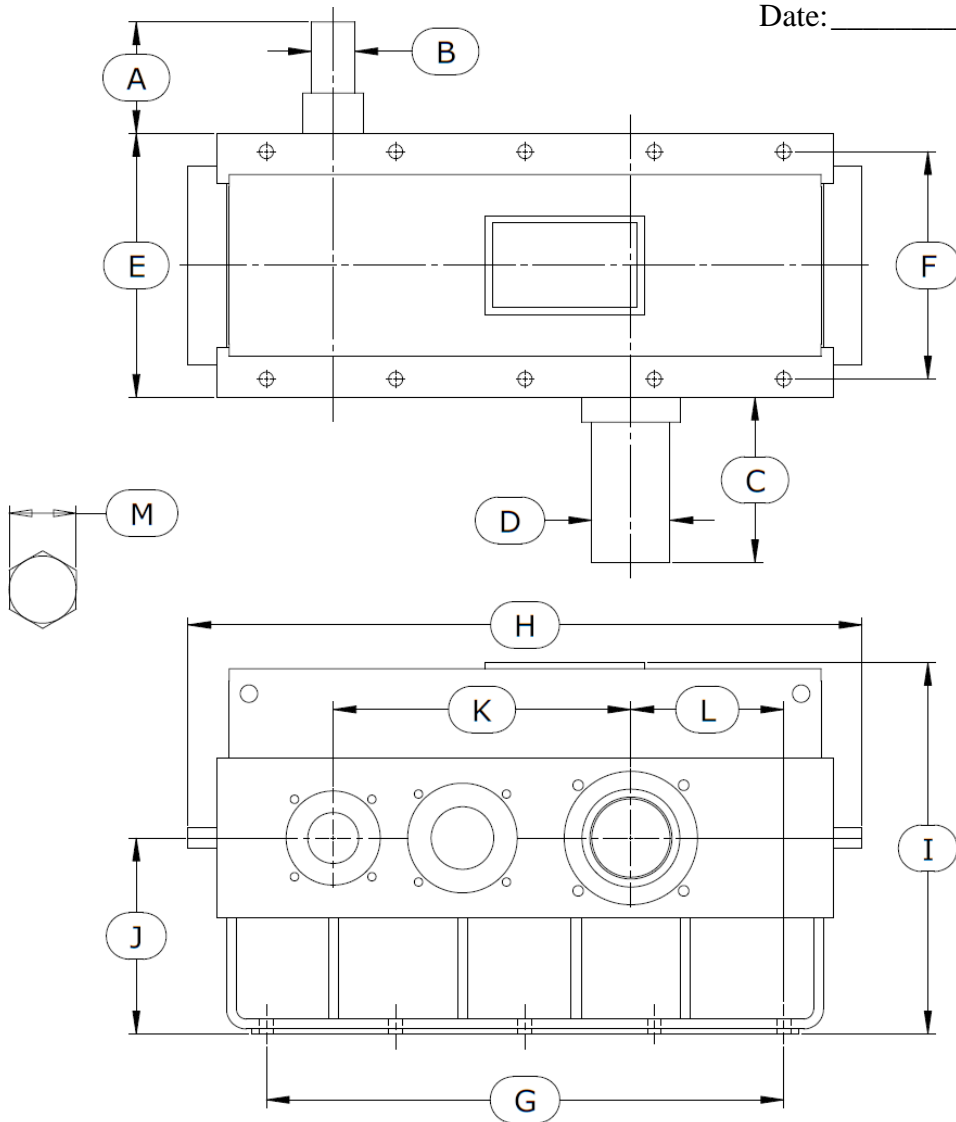
Customer: _____

Location: _____

Contact Name: _____

Contact Email: _____

Date: _____ Revision: _____



- A - Input Shaft Length
- B - Input Shaft Diameter
- C - Output Shaft Length
- D - Output Shaft Diameter
- E - Gearbox Width
- F - Mounting Pattern Width
- G - Mounting Pattern Length
- H - Gearbox Length
- I - Gearbox Height
- J - Split Line Height
- K - Total Center Distance
- L - Distance Between Output Shaft and Mounting Bolt
- M - Mounting Bolt Flat to Flat Distance

Dimensional Data

A	B	C	D	E	F	G
H	I	J	K	L	M	

Mechanical Data

Input Power ¹	Input Speed	Output Speed or Ratio

Notes

1. Specify hp or kW