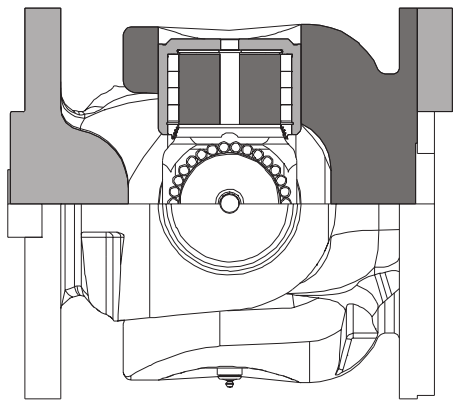
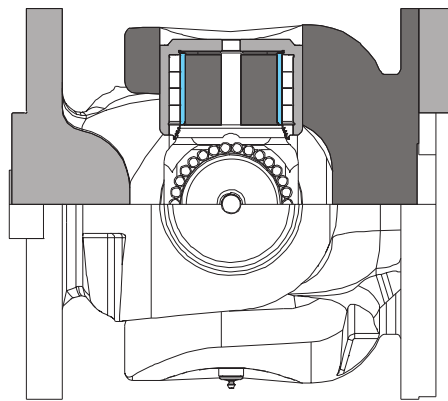


Cross and Bearing Configuration



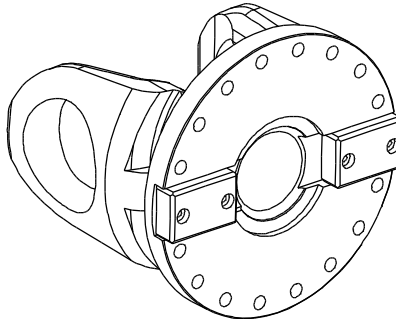
XT 55-55 and below Trunnion Type.
Rollers contact directly on the trunnion
of the cross



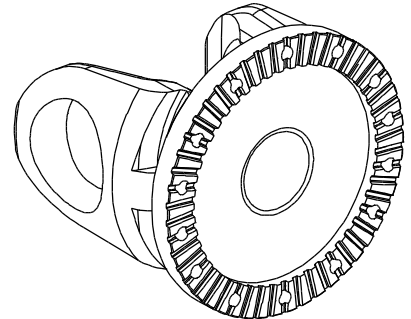
XT 60-60 and above Sleeve Type.
A sleeve is installed on the cross and
rollers contact on the sleeve

Flange Design

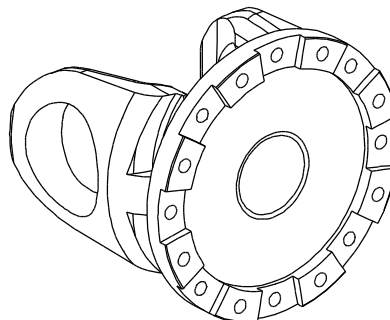
Face Key



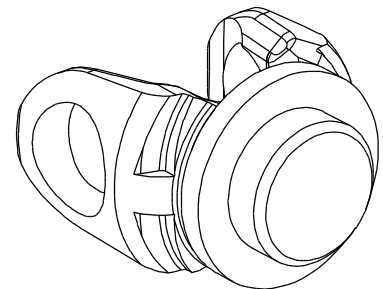
Hirth Serration



Integral Face Pad



Welded



11451 Reading Road
Cincinnati, Ohio 45241 USA

888.332.XTEK phone
513.733.7820 fax

www.xtek.com