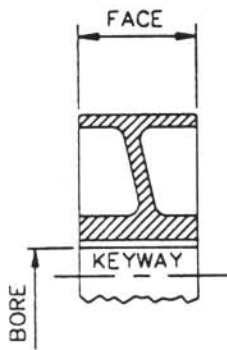
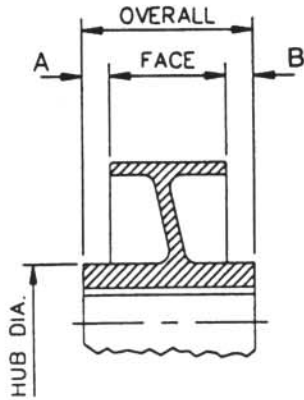


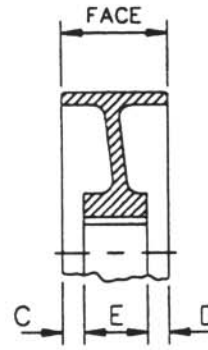
Company: _____
 Location: _____
 Submitted by: _____ Date: _____
 Quantity: _____



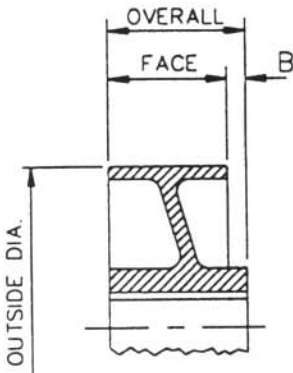
TYPE 1



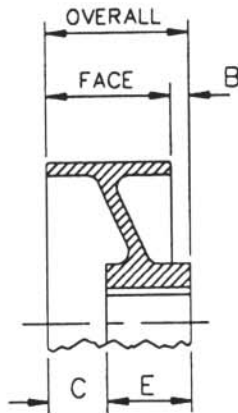
TYPE 2



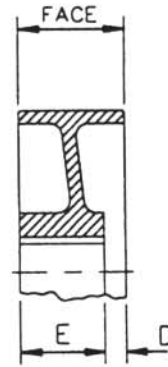
TYPE 3



TYPE 4



TYPE 5



TYPE 6

Type Wheel	Outside Diameter	Face	Bore ¹	Keyway ²	Hub Diameter	Overall

A	B	C	D	E	Remarks ³

- Specify if bore is straight or tapered. If tapered, give taper per foot and specify if keyway is parallel to bore or to centerline. Also, give bore at large end and its relation to hub extensions.
- Specify if keyway is straight or tapered. If tapered, give taper per foot and location of deep end.
- Give catalog number, part number, motor frame size and type of equipment the wheel is used on.